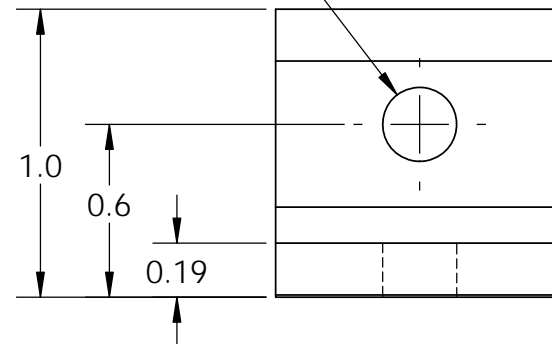


Ø0.257 THRU;
2 PLACES



NOTES:

1. DIMS IN INCHES
2. QTY SPECIFIED IN BOM
3. DIMS SPECIFIED BY MANUFACTURER
4. MAT'L: ALUMINUM

TOLERANCE UNLESS NOTED				TITLE:		
MEASURING INSTRUMENT	PLACES IN DIMENSION			80/20 90 Degree Angle Bracket		
	0.0	0.00	0.000	DRAWN	J. DERSCH	
CALIPERS	/	/	±0.005	DESIGNED	80/20 INC.	
PRECISION RULER	/	±0.015	/	SIZE	DWG. NO.	REV
TAPE MEASURE	±0.030	/	/	A	EML2322L-OTS12	A
PROTRACTOR	±10	±5	±2	SCALE: 1.5:1		SHEET 1 OF 1