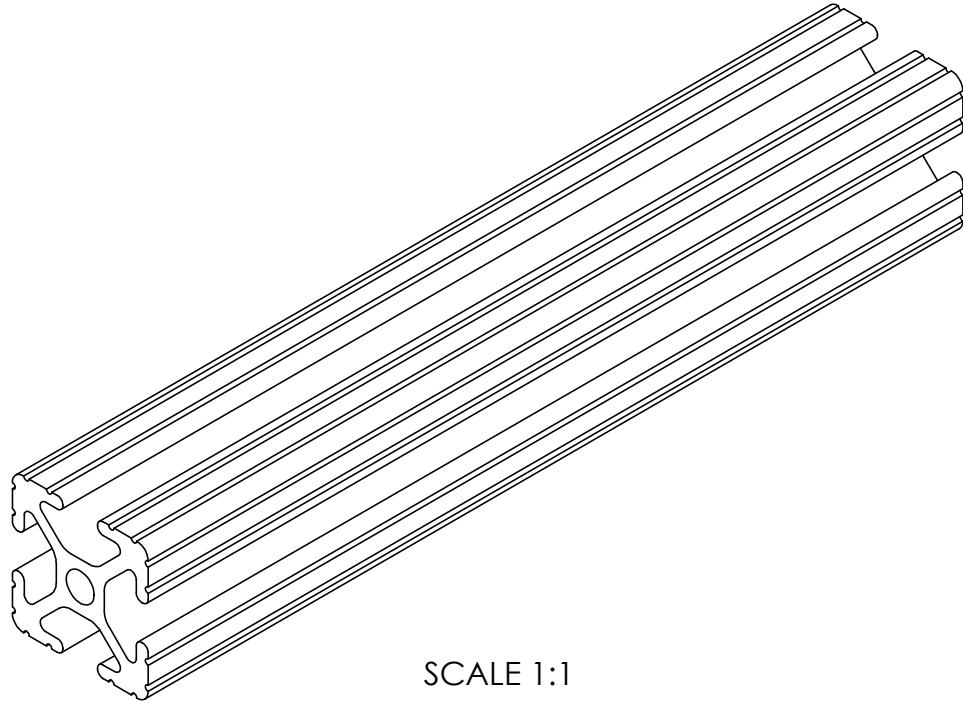


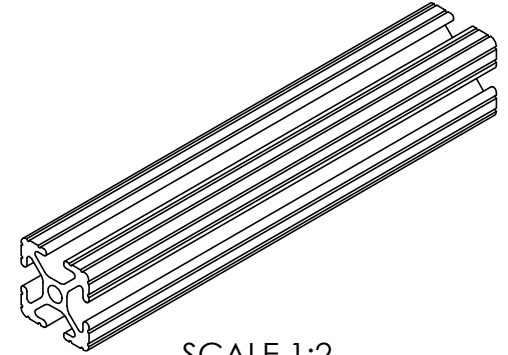
80/20 EXTRUSION AT VARIOUS SCALES.

SETTINGS:

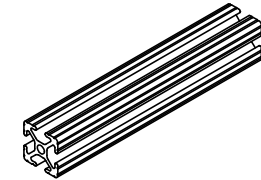
- TANGENT EDGES REMOVED (TYPICALLY SHOULD BE VISIBLE IN ISOMETRIC VIEWS)



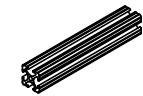
SCALE 1:1



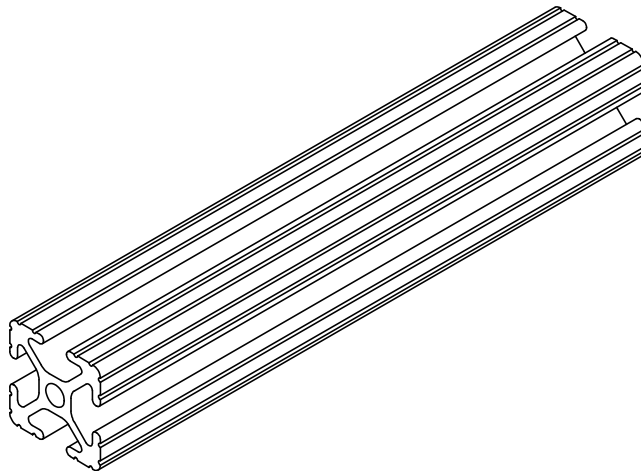
SCALE 1:2



SCALE 1:4



SCALE 1:8



SCALE 2:3

TOLERANCE UNLESS NOTED				TITLE:		
OPERATION	PLACES IN DIMENSION			8020-1010		
	0.0	0.00	0.000	DRAWN	J. DERSCH	
MACHINING	±0.050	±0.020	±0.005	DESIGNED	J. DERSCH	
CUT OFF (SAW, BURN, SHEAR)	±0.1	±0.060		SIZE	DWG. NO.	REV
WELDING	±0.1	±0.060		A	EML2322L-EX-80/20	A
ANGULAR DIMS	±5	±2	±0.5			SHEET 1 OF 1