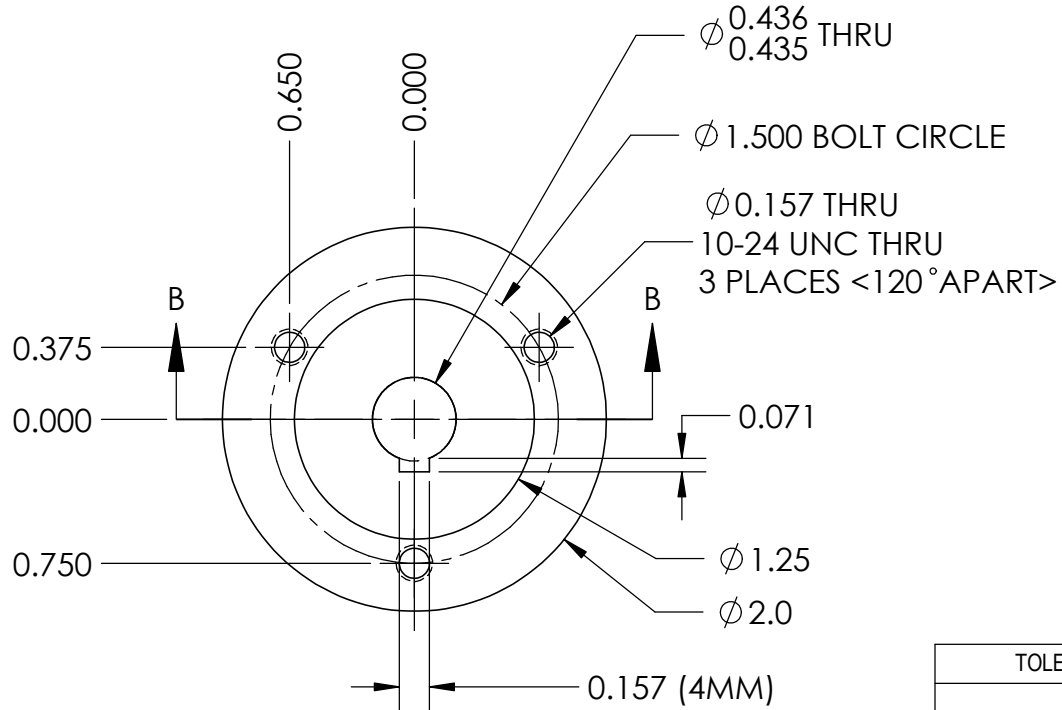
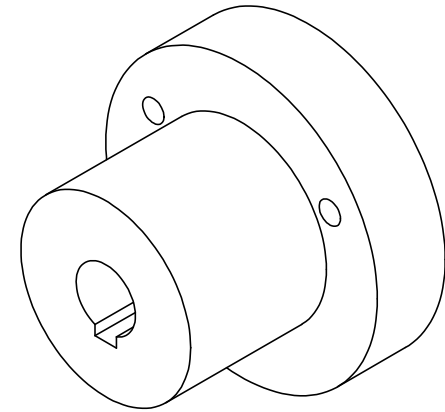


SECTION B-B



- NOTES:  
 1. QTY: 2  
 2. ALL DIMS IN INCHES  
 3. MATL: ALUMINUM  
 4. FINISH NOTED SURFACES  
 5. BREAK ALL EDGES

TOLERANCE UNLESS NOTED				TITLE:		
OPERATION	PLACES IN DIMENSION			Cytron Motor Hub		
	0.0	0.00	0.000	DRAWN	C.HALBROOK	
MACHINING	±0.050	±0.020	±0.005	DESIGNED	C.HALBROOK	
CUT OFF (SAW, BURN, SHEAR)	±0.1	±0.060		SIZE	DWG. NO.	REV
WELDING	±0.1	±0.060		<b>A</b>	EML2322L-OTS-050	<b>C</b>
ANGULAR DIMS	±5	±2	±0.5	SCALE: 1:1		SHEET 1 OF 1