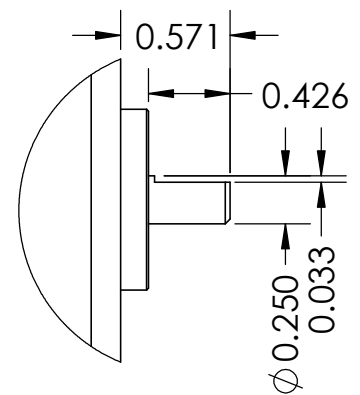
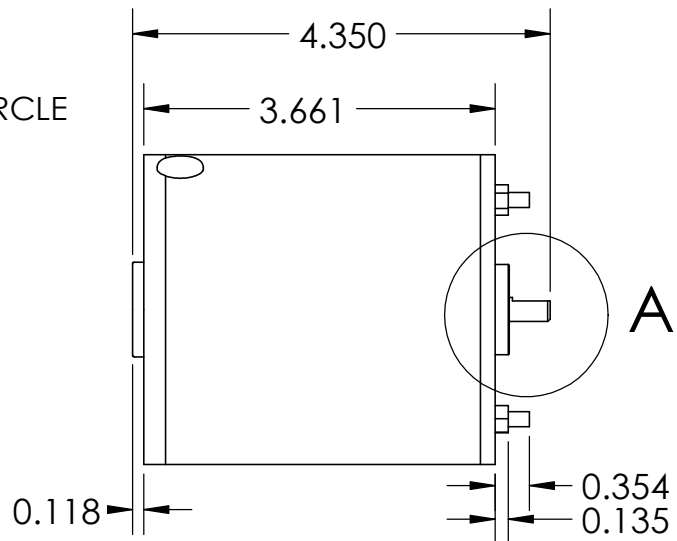
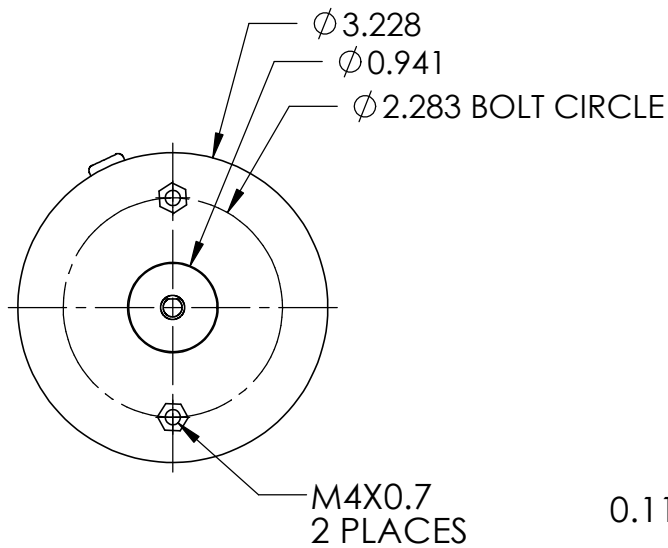
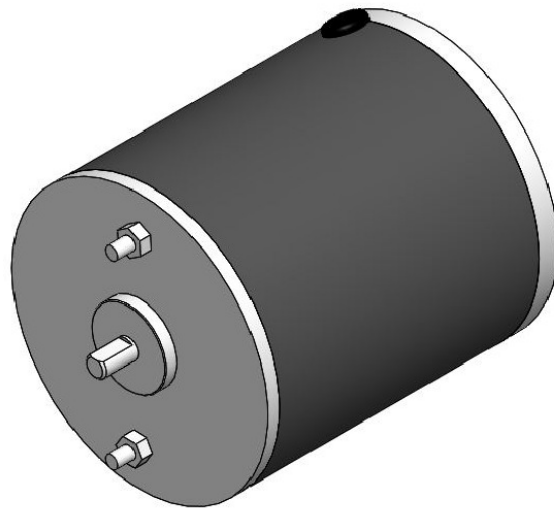


1800 RPM RETEK Motor



Specifications:

Voltage: 12 VDC
Current: 1.5A (no load) / 5.5A (full load, i.e. stall)
Speed: 1800 RPM (no load)
Torque: 30 in-lb
Reversible
Weight: 2.6 lb

DETAIL A
SCALE 1 : 1

DIMS IN INCHES