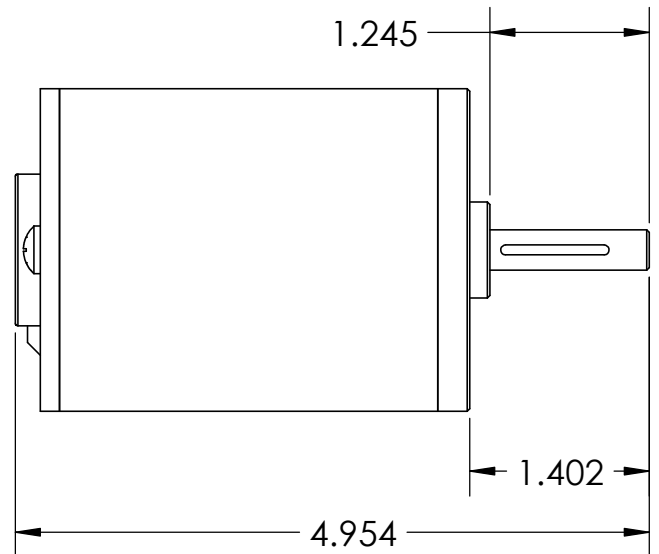
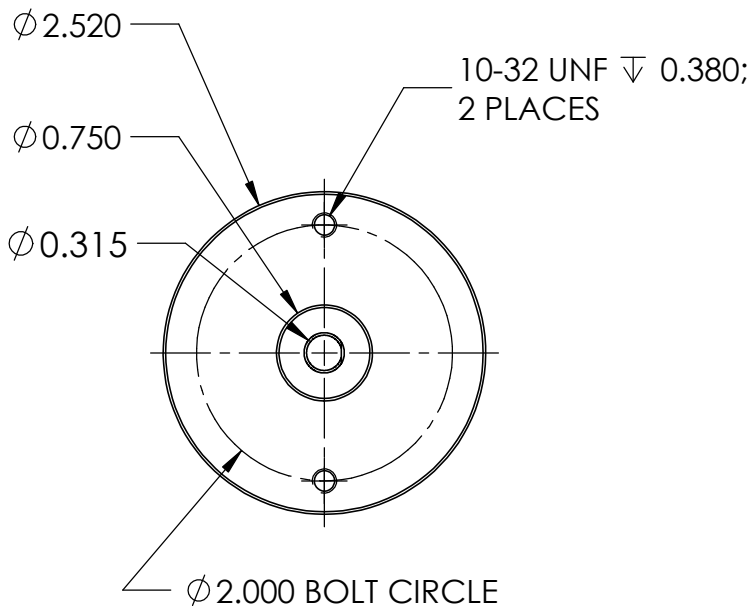
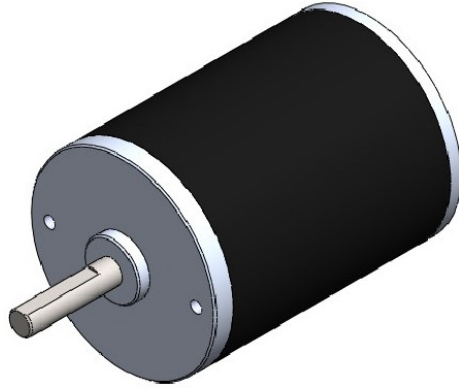


5840 RPM Mini CIM Motor



Specifications:

Voltage: 12 VDC

Current: 0.4 / 89A (no load / peak) 3.0A (no load)

Speed: 5840 RPM (no load)

Torque: 12.4 in-lb

Back-drive Torque: N/A (no gearing)

Reversible

Weight: 2.16 lb

DIMS IN INCHES